



High performance LED Vaporproof fixture. Ideal for call boxes on campuses, parking areas and walkways. Can be mounted as an uplight. Comes with shot blasted guard with frosted blue globe.

Color: Natural shot blasted aluminum

Weight: 5.1 lbs

<b>Project:</b>	<b>Type:</b>
<b>Prepared By:</b>	<b>Date:</b>

Driver Info		LED Info	
Type	Constant Current	Watts	13W
120V	0.13A	Color Temp	N/A
208V	0.08A	Color Accuracy	N/A
240V	0.07A	L70 Lifespan	100,000 Hours
277V	0.06A	Lumens	N/A
Input Watts	15.1W	Efficacy	N/A

## Technical Specifications

### Compliance

#### UL Listed:

Suitable for wet locations. Suitable for mounting within 4ft (1.2m) of the ground.

#### IESNA LM-80 Testing:

RAB LED luminaires have been tested by an independent laboratory in accordance with IESNA lm-80

### LED Characteristics

#### LED:

Multi-chip, 13W high-output, long-life blue LED

### Performance

#### Lifespan:

100,000-Hour LED lifespan based on IES LM-80 results and TM-21 calculations

### Construction

#### Cold Weather Starting:

The minimum starting temperature is -40°C (-40°F)

#### Housing:

Precision die-cast aluminum housing, lens frame

#### Mounting:

(3) 1/2" NPS conduit entry points

#### Gaskets:

High-temperature silicone

#### Finish:

Natural shot blasted aluminum

#### Guard and globe:

Shot blasted guard with internally frosted blue globe

#### Green Technology:

Mercury and UV free. RoHS-compliant components.

### Other

#### Patents:

The design of the LBEACON™ is protected by patents pending in US, Canada, China, Taiwan and Mexico

#### Warranty:

RAB warrants that our LED products will be free from defects in materials and workmanship for a period of five (5) years from the date of delivery to the end user, including coverage of light output, color stability, driver performance and fixture finish. RAB's warranty is subject to all terms and conditions found at [rablighting.com/warranty](http://rablighting.com/warranty).

#### Buy American Act Compliance:

RAB values USA manufacturing! Upon request, RAB may be able to manufacture this product to be compliant with the Buy American Act (BAA). Please contact customer service to request a quote for the product to be made BAA compliant.

### Electrical

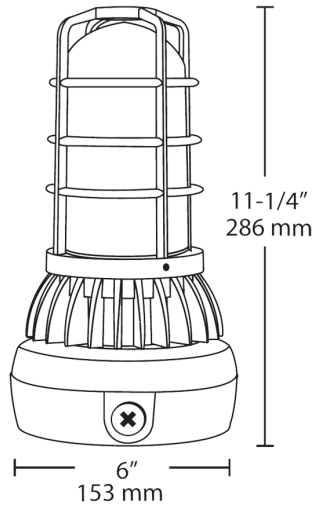
#### Driver:

Constant Current, 100V-277V, 50/60 Hz, 100-240VAC = 0.3-0.15 Amp, 277VAC = 15Amps. THD is less than equal to 20%, Power Factor = 97.5%.

#### THD:

6.1% at 120V, 10.1% at 277V

## Dimensions



## Features

- Ideal for call boxes on campuses, parking areas and walkways
- Can be mounted as an uplight
- 100,000-hour LED lifespan
- True blue design with blue globe and blue LED
- Mounts to wall or existing pole
- 5-Year, No-Compromise Warranty